

CHAFE ORDER FORM



QUOTE ORDER

Name: _____

Company: _____

Address: _____

Phone #: _____ Email Address: _____

CUSTOMIZE YOUR CHAFE

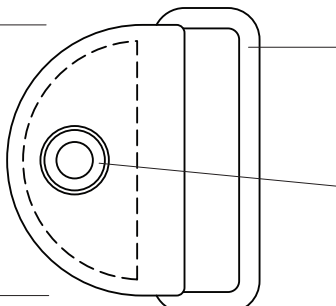
QTY: _____

POLYESTER CHAFE

WIDTH

1"
 1 1/2"
 2"

OTHER WIDTH _____



- METAL LOOP TYPE
- STAINLESS STEEL
 - CARBON STEEL, ZINC-PLATED
- EYELET TYPE
- STAINLESS STEEL
 - ALUMINUM

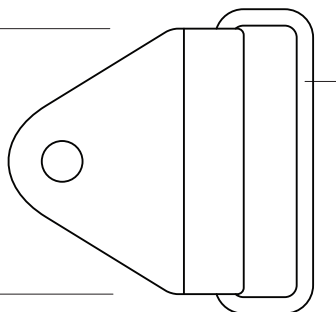
- COLOR
- BLACK
 - WHITE
 - OTHER _____
- Please Provide Pantone #

PLASTIC CHAFE

WIDTH

3/4"
 1"
 1 1/2"
 2"

OTHER WIDTH _____



- METAL LOOP TYPE
- STAINLESS STEEL
 - CARBON STEEL, ZINC-PLATED

- COLOR
- BLACK
 - WHITE
 - OTHER _____
- Please Provide Pantone #

Notes _____

Please send this form to info@firstopal.com